



APstorage EZHI & EZ Hybrid System (APAC) Accessories

Rev 0.1

ALTENERGY POWER SYSTEM Inc.
global.APsystems.com

Address: APsystems Headquarter
Building 2, No. 522, Yatai Road, Nanhu District, Jiaxing City, Zhejiang, China
Phone: +86-573-83986967
Email: info.apac@APsystems.com

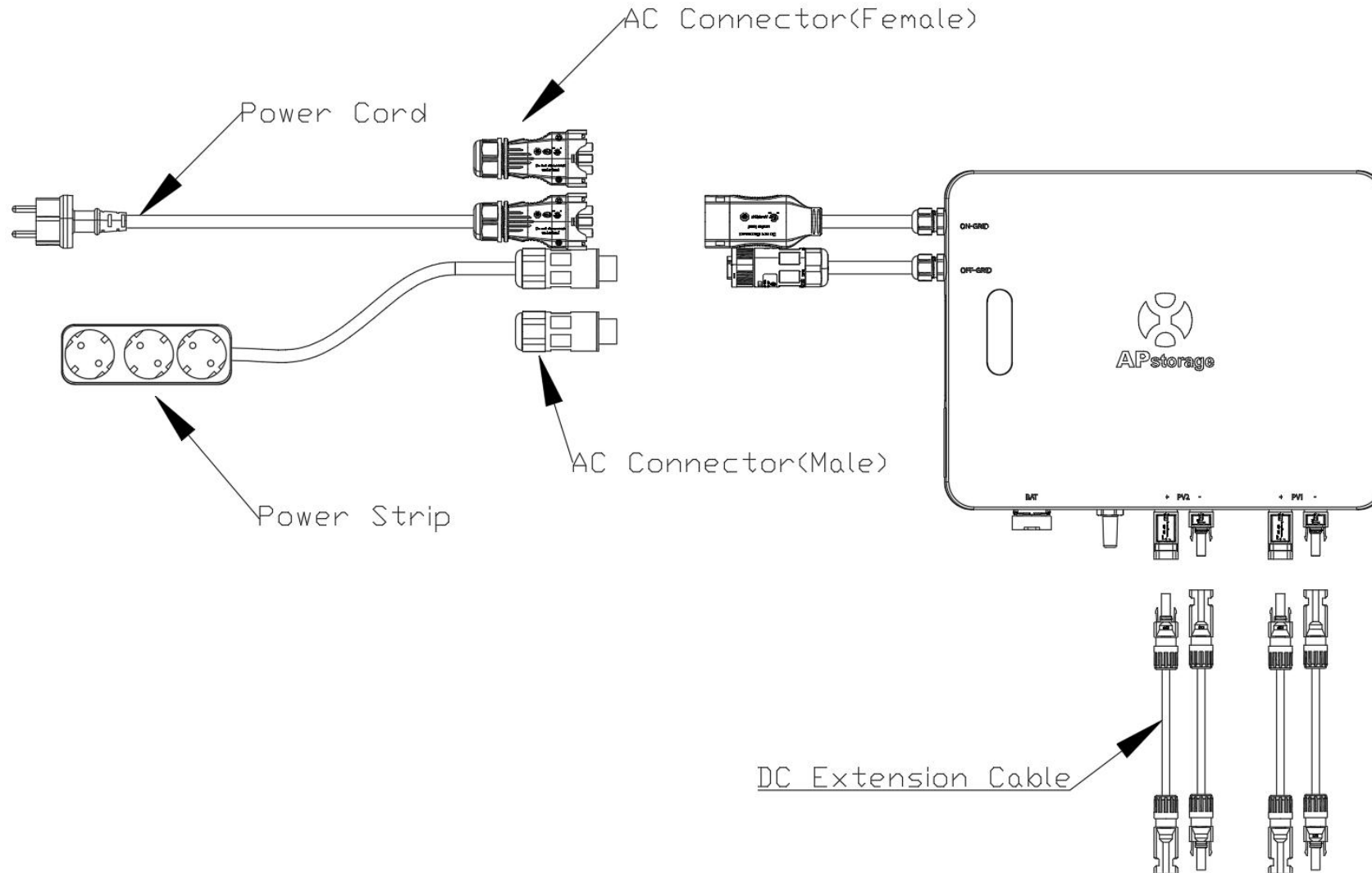
© All Rights Reserved

Contents

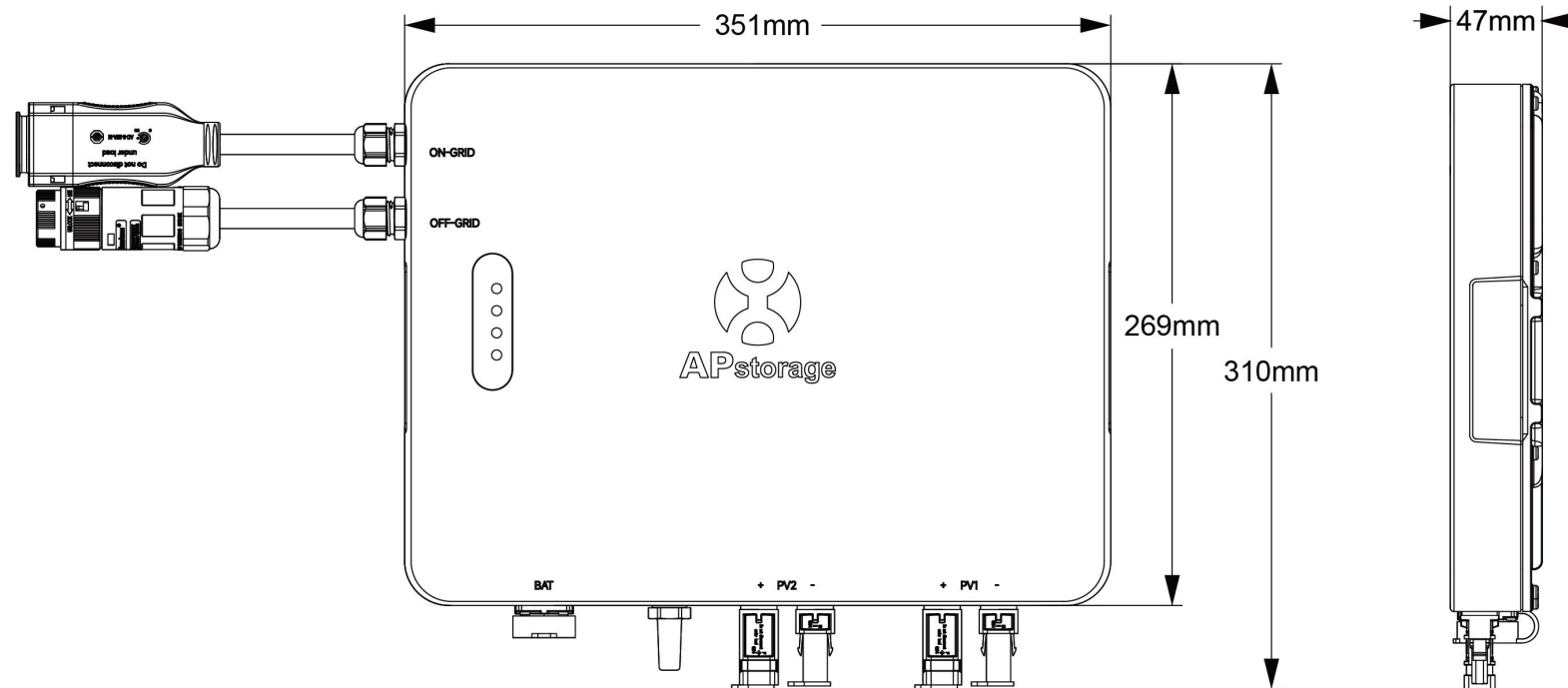
EZHI Series Accessories	3
1. Wiring Diagram	3
2. EZHI Dimensions	4
3. Accessories Summary	5
4. Physical Picture	6
5. Accessories information	7
EZ Hybrid System Series Accessories	14
1. Wiring Diagram	14
2. EZ Hybrid System Dimensions	15
3. Accessories Summary	16
4. Physical Picture	16
5. Accessories information	17

EZHI Series Accessories

1. Wiring Diagram










2. EZHI Dimensions



3. Accessories Summary

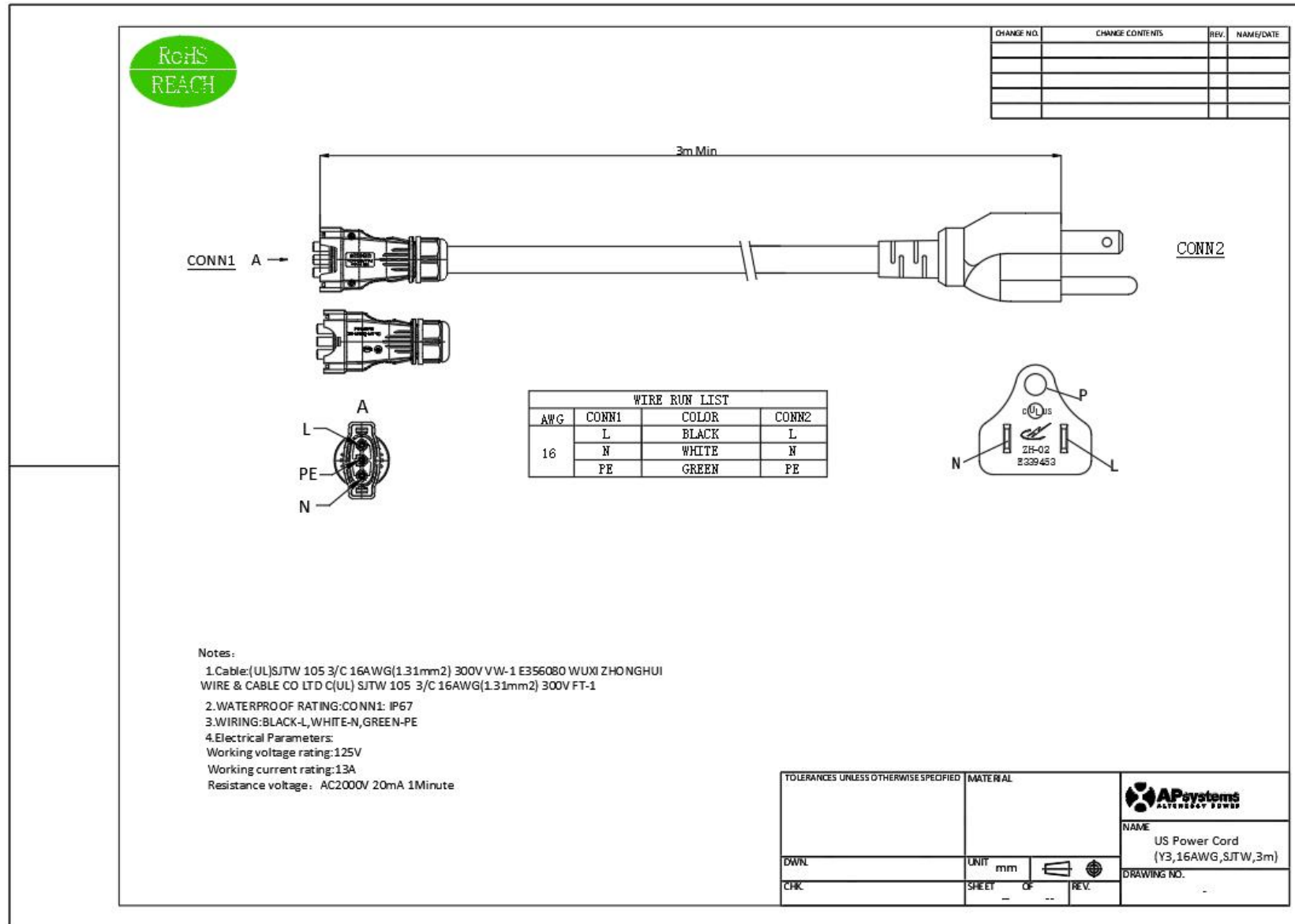
Region	Accessories				
	Power Cord (Optional)	Power Strip (Optional)	AC Connector(Female) (Optional)	AC Connector(Male) (Optional)	DC Extension Cable (Optional)
APAC -APAC (630001)	2337056532_ US Power Cord(Y3,16AWG,SJTW,3m) (See Pic. A)	2330022113_EZHI Off - grid Universal Power Strip (See Pic. D)	2301432505_ACB3 Connector(3core,female,25A) (See Pic. E)	2300531032_25A AC Male Connector (EN,3-wire) (See Pic. F)	2310360214_2m DC Extension Cable (MC4) (See Pic. G)
	2337106532_ UK Power Cord(Y3,2.5mm ²,H07,3m) (See Pic. B)				
	2337026532_ EU Power Cord(Y3,2.5mm²,H07,3m) (See Pic. C)				

4. Physical Picture

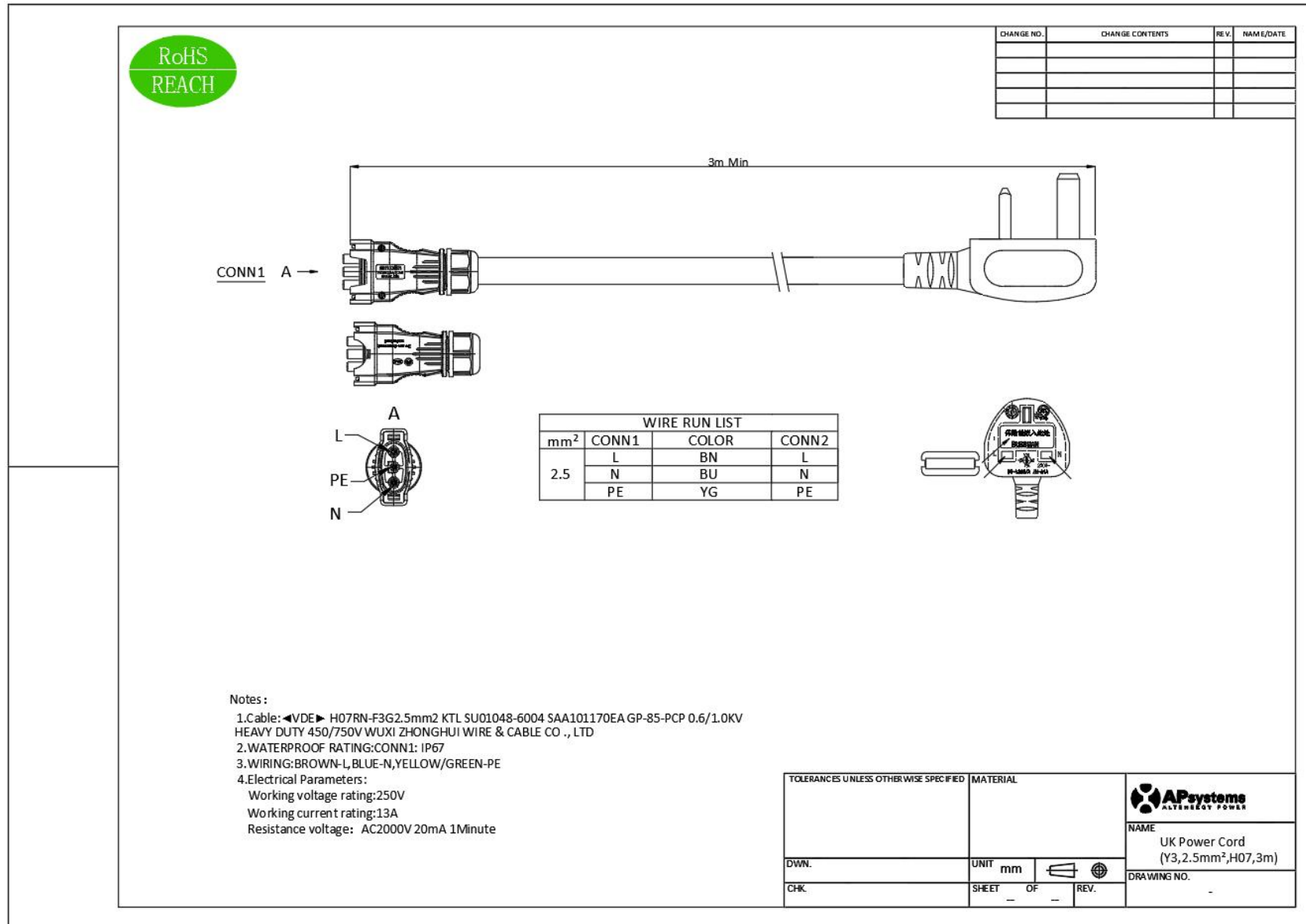
<p>US Power Cord(Y3,16AWG,SJTW,3m)</p>	<p>UK Power Cord(Y3,2.5mm²,H07,3m)</p>	<p>EU Power Cord(Y3,2.5mm²,H07,3m)</p>	<p>EZHI Off - grid Universal Power Strip</p>	<p>AC Connector(Female)</p>
 <p>Pic. A</p>	 <p>Pic. B</p>	 <p>Pic. C</p>	 <p>Pic. D</p>	 <p>Pic. E</p>
<p>AC Connector(Male)</p>	<p>DC Extension Cable</p>			
 <p>Pic. F</p>	 <p>Pic. G</p>			

5. Accessories information

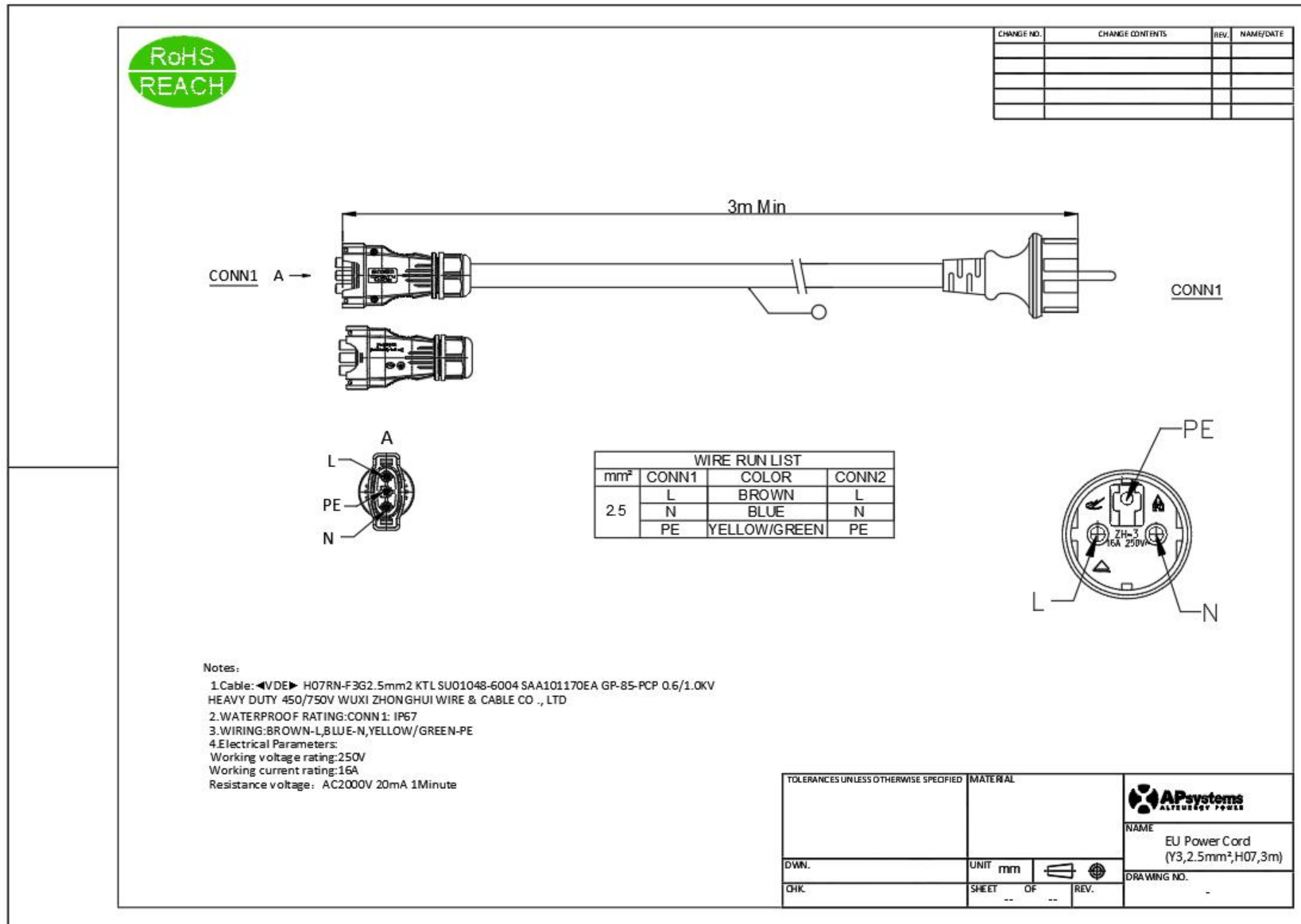
2337056532_US Power Cord(Y3,16AWG,SJTW,3m)



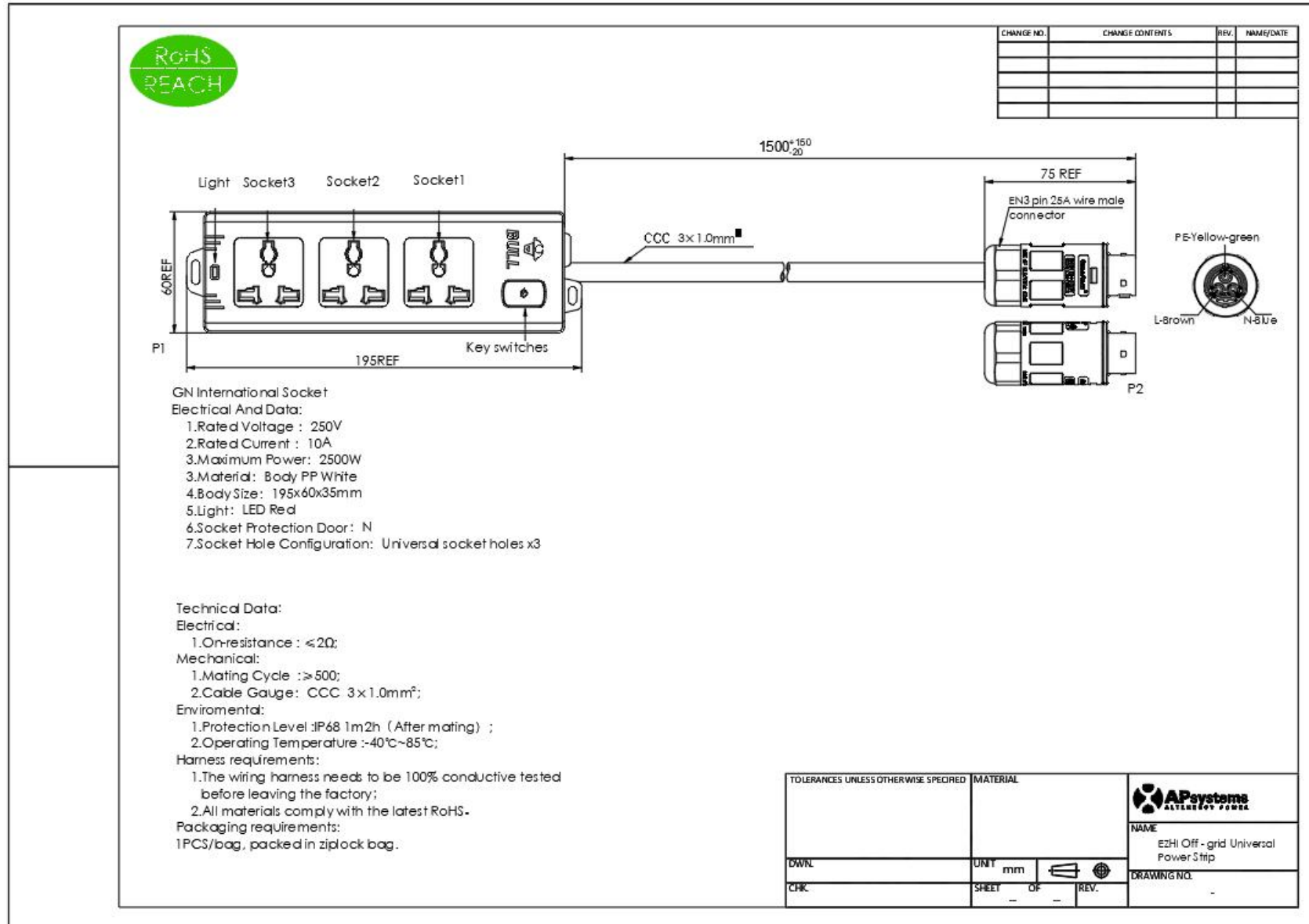
2337106532_UK Power Cord(Y3,2.5mm²,H07,3m)



2337026532_EU Power Cord(Y3,2.5mm²,H07,3m)



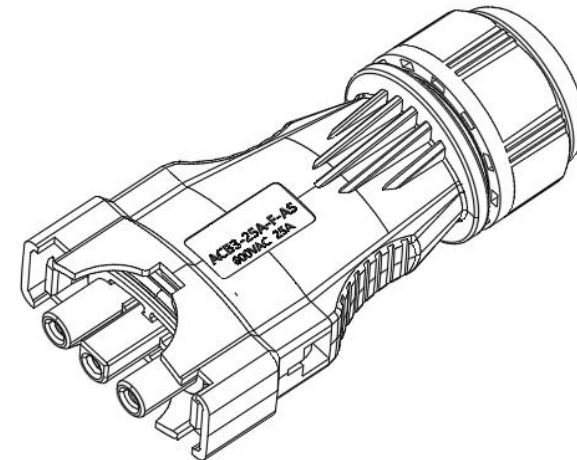
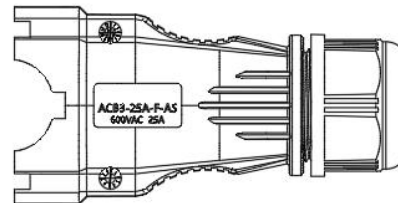
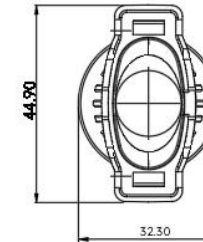
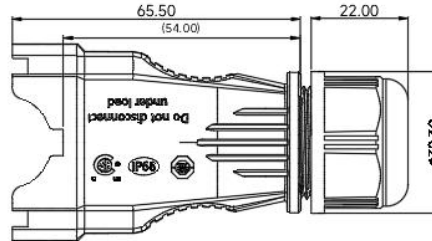
2330022113_EZHI Off - grid Universal Power Strip



2301432505_ACB3 Connector(3core,female,25A)






CHANGE NO.	CHANGE CONTENTS	REV.	NAME/DATE



Technical parameter:

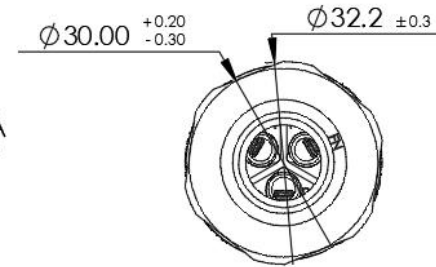
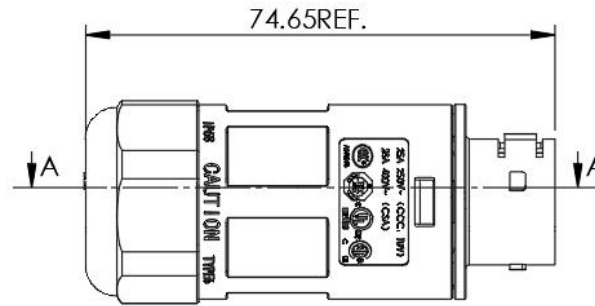
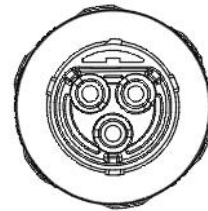
1. Rated voltage: 600VAC
2. Max. current:
 - TUV:25A(2.5mm²)
 - CSA/UL:23A(14AWG)
3. Contact resistance: ≤3mΩ
4. Insulation resistance: ≥500MΩ
5. Ambient Temperature: -40°C~65°C
6. IP code: IP68 (1m,2H)
7. Mechanical life: ≥100次
8. Salt spray test: 24H Neutral salt spr
9. Flame retardant code: UL94-V0
10. UV resistance: f1
11. Adapt cable OD: OD=7~11.5mm
12. M4 Torque: 1.0N.m
13. M26 Torque: 3.5~3.7N.m(Reference)
14. Standard: UL6703 & PPP 59015A
15. Part Number: ACB3-25A-F-AS

TOLERANCES UNLESS OTHERWISE SPECIFIED		MATERIAL		 NAME ACB3 Connector (3core, female, 25A)
DWN.	UNIT mm			
CHK.	SHEET OF	REV.		

2300531032_25A AC Male Connector (EN,3-wire)



CHANGE NO.	CHANGE CONTENTS	REV.	NAME/DATE



Notes:

Electrical

- Rated Voltage: 250V AC (CCC, TUV),
400V AC (CSA);
300V AC (UL+CUL);
- Rated Impulse Voltage: 4000V;
- Rated Current: 25A;
- Contact Resistance: $\leq 5m\Omega$;
- Insulation Resistance: $\geq 500M\Omega$;

Mechanical:

- Mating Cycle: ≥ 500 ;
- Cable Retention Force: $\geq 120N$;
- Pin Retention Force: $\geq 80N$;
- Cable O.D: $9 \sim 12mm$;
- Wire Size: $2.0 \sim 4.0mm^2$ (14AWG~12AWG);
- Sealing Size: 12mm;

Environmental:

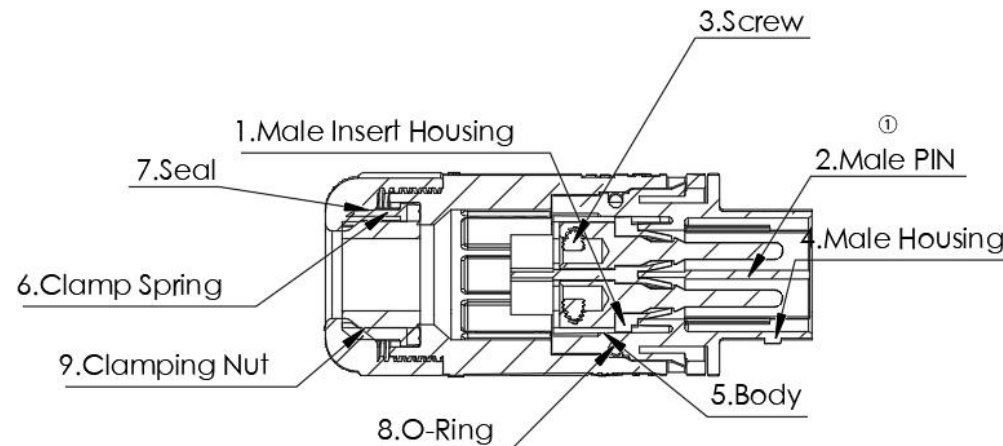
- Waterproof Rate: IP68 1m24H;
- Application Temperature: $-40^{\circ}C \sim +105^{\circ}C$;
- Flaming Level: UL94-V0;

Material:

- Plastic Material: PC&PET (f1)
- Pin: Copper Alloy, Silver Plating;
- Sealing Material: Silicone Rubber;
- Screw Material: Fe Alloy, Zin Plating

Others:

- Part Number: EN030-1026-0001;
- Packaging: Blank Cartons

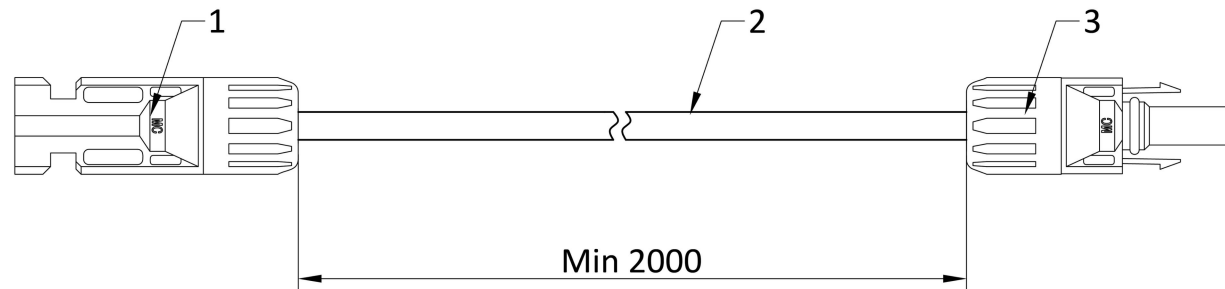




TOLERANCES UNLESS OTHERWISE SPECIFIED		MATERIAL		 NAME 25A AC Male Connector (EN, 3-wire)
X: ± 0.20	X ^o : $\pm 2.00^{\circ}$			
.X: ± 0.10	.X ^o : $\pm 1.00^{\circ}$			
.XX: ± 0.05	.XX ^o : $\pm 0.50^{\circ}$			
.XXX: ± 0.03	.XXX ^o : $\pm 0.30^{\circ}$			
DWN.	UNIT mm	DRAWING NO.		
CHK.	SHEET OF	REV.		

2310360214_2m DC Extension Cable (MC4)



CHANGE NO.	CHANGE CONTENTS	REV.	NAME/DATE
②	Add alternative cable	0.2	YFT 2022-9-14

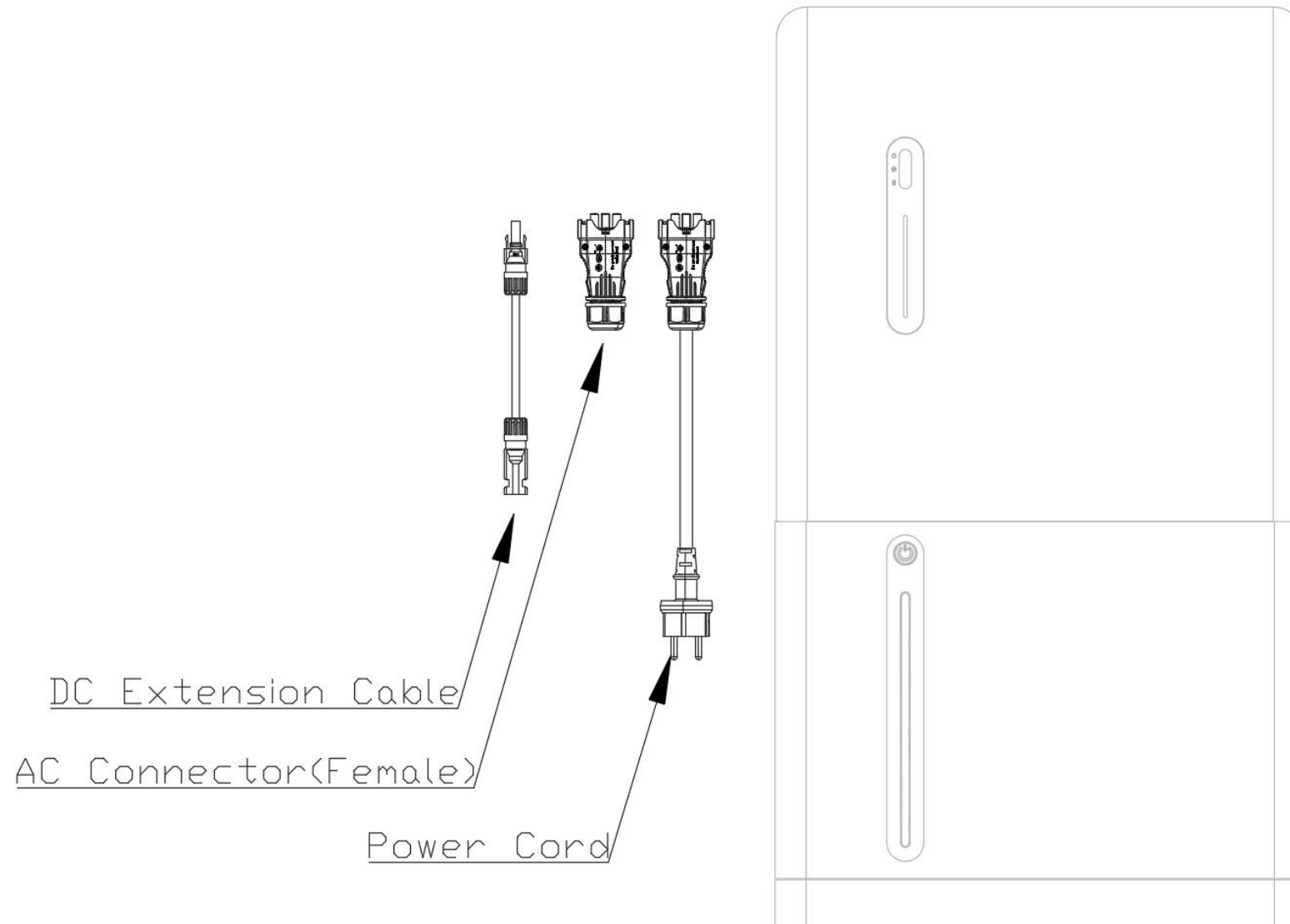


3	DC Connector (female)	MC4 PV-KBT4/6II		1	Female, STAUBLI	
① 2	DC Cable	FLEX-SOL-EVO-DX 4.0		1	4.0mm ² , TUV/UL certification	
		62930 IEC 131/PV		1	4.0mm ² /12AWG, TUV/UL certification	Alternative
1	DC Connector (male)	MC4 PV-KST4/6II		1	Male, STAUBLI	
NO.	NAME	TYPE	MAT.	QTY.	DESCRIPTION	REMARK
TOLERANCES UNLESS OTHERWISE SPECIFIED		MATERIAL		 NAME 2m DC Extension Cable (MC4) DRAWING NO.		
>0-100	±5	>2500-3500	±45			
>100-500	±10	>3500-4500	±50			
>500-900	±15	>4500-5500	±65			
>900-1300	±25	>5500-6500	±80			
>1300-1800	±30	>6500-8000	±90			
>1800-2500	±35	>8000-10000	±100			
DWN.		UNIT	mm			
CHK.		SHEET	--	OF	--	REV. 0.2

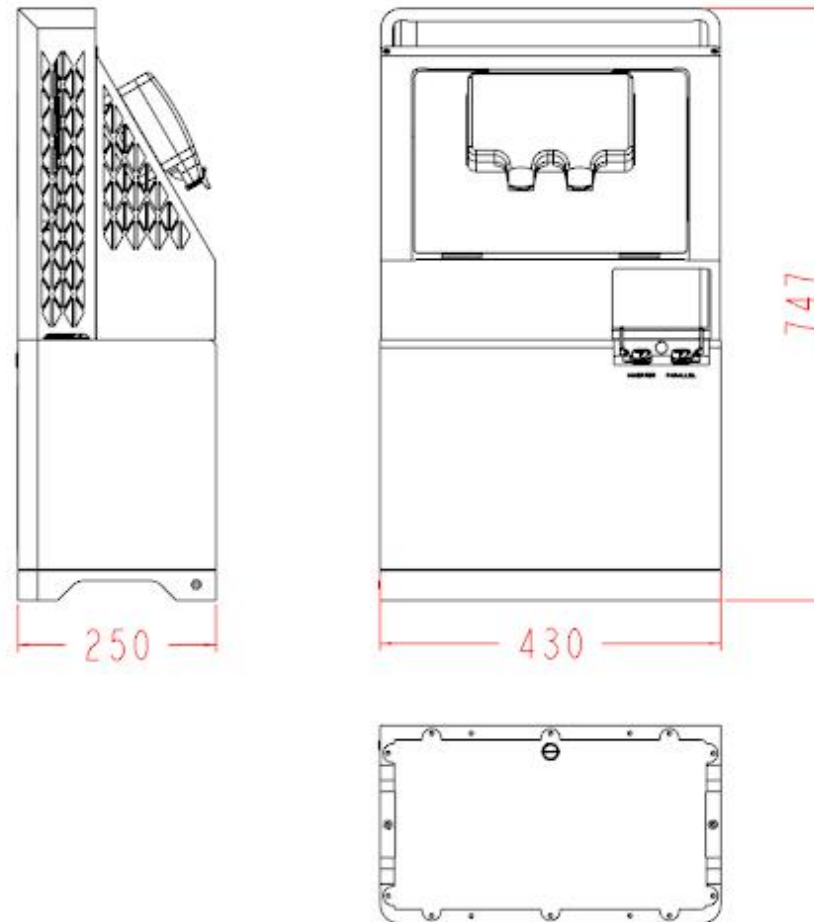
- Notes:
1. The DC cable and connector connect firmly, can sustain 100N-60s tension
 2. The pin concentric with plastic parts, ensure that there is no contradict phenomenon when male connector inserts into female connector

EZ Hybrid System Series Accessories

1. Wiring Diagram



2. EZ Hybrid System Dimensions



3. Accessories Summary

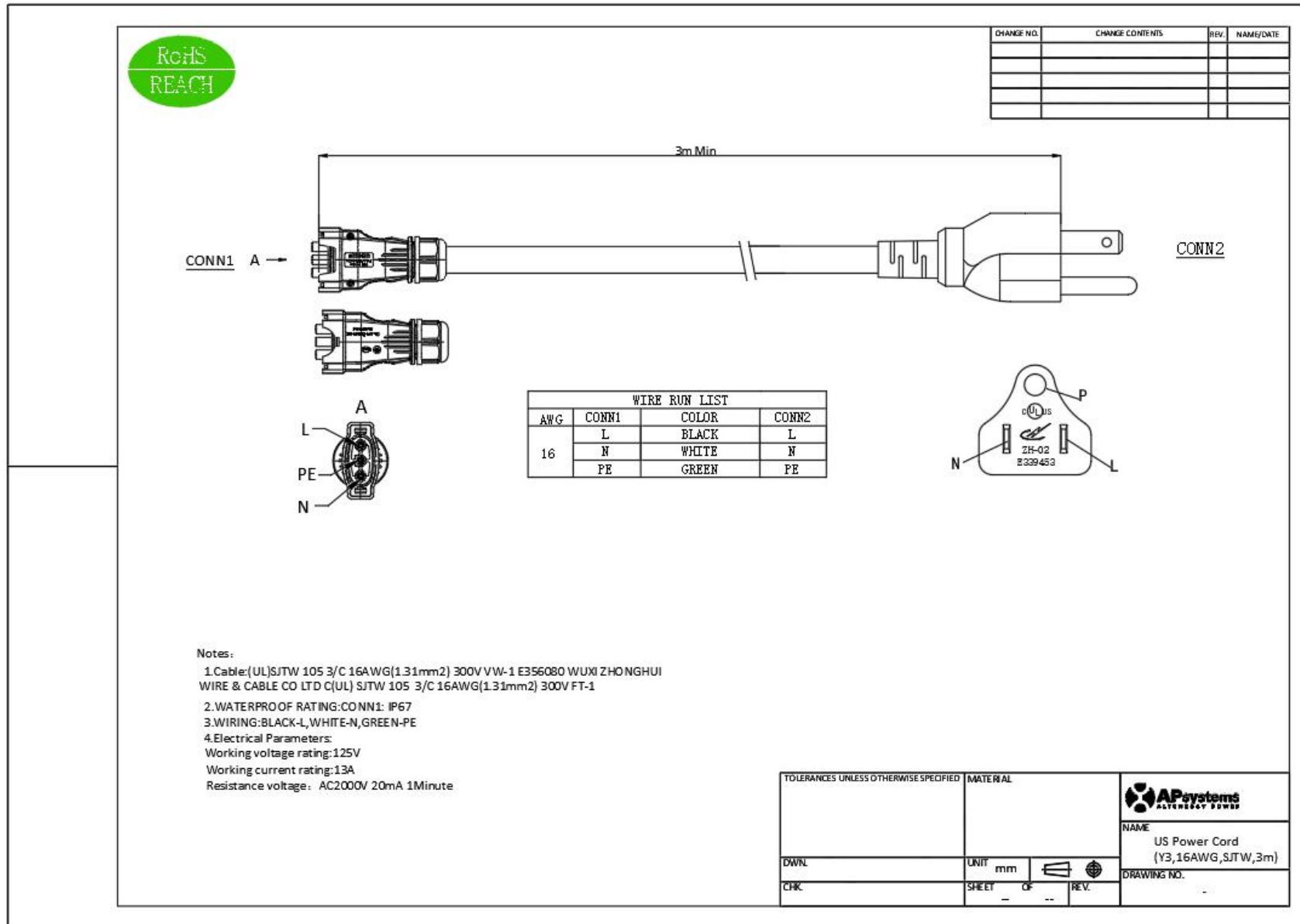
Region	Accessories		
	Power Cord (Optional)	AC Connector(Female) (Optional)	DC Extension Cable (Optional)
APAC -APAC (627001)	2337056532_ US Power Cord(Y3,16AWG,SJTW,3m) (See Pic. A)	2301432505_ACB3 Connector(3core,female,25A) (See Pic. D)	2310360214_2m DC Extension Cable (MC4) (See Pic. E)
	2337106532_ UK Power Cord(Y3,2.5mm ² ,H07,3m) (See Pic. B)		
	2337026532_ EU Power Cord(Y3,2.5mm ² ,H07,3m) (See Pic. C)		

4. Physical Picture

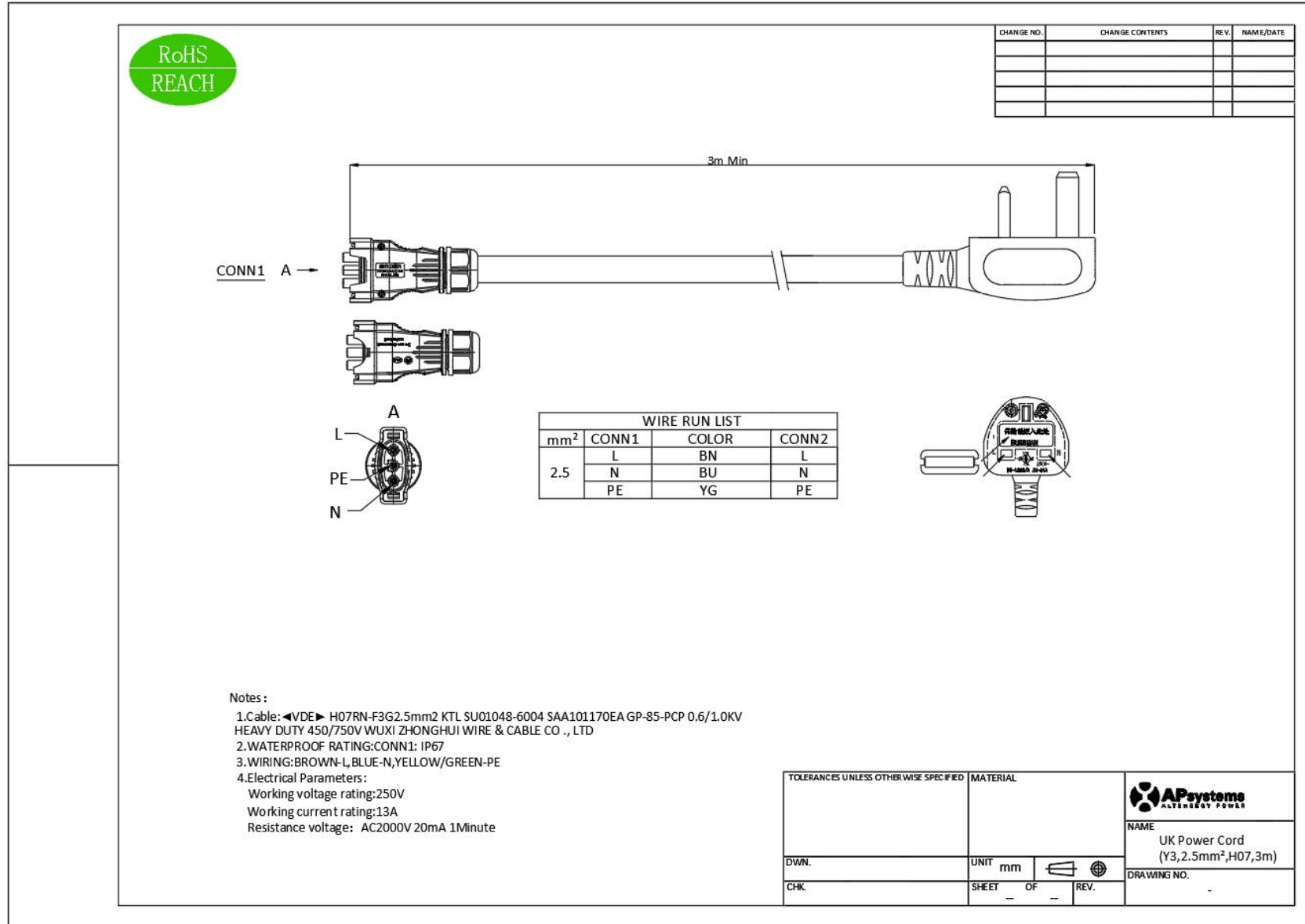
US Power Cord(Y3,16AWG,SJTW,3m)	UK Power Cord(Y3,2.5mm ² ,H07,3m)	EU Power Cord(Y3,2.5mm ² ,H07,3m)	AC Connector(Female)	DC Extension Cable
				
Pic. A	Pic. B	Pic. C	Pic. D	Pic. E

5. Accessories information

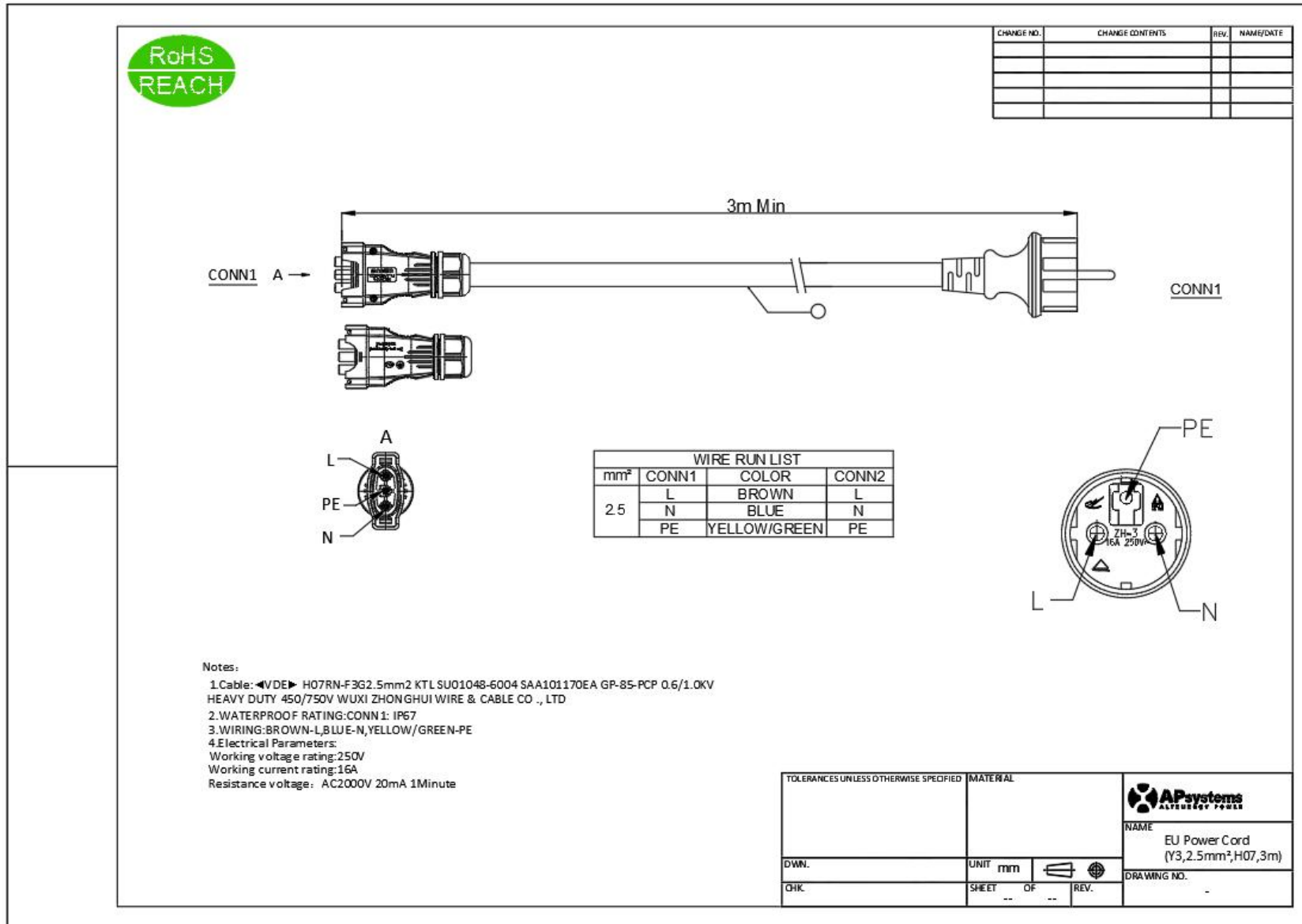
2337056532_US Power Cord(Y3,16AWG,SJTW,3m)



2337106532_UK Power Cord(Y3,2.5mm²,H07,3m)



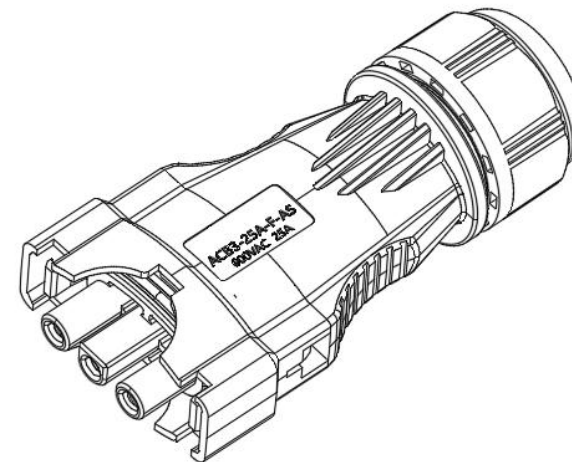
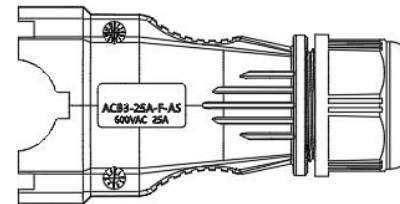
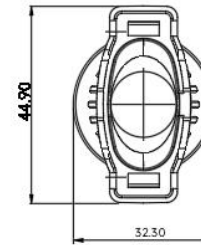
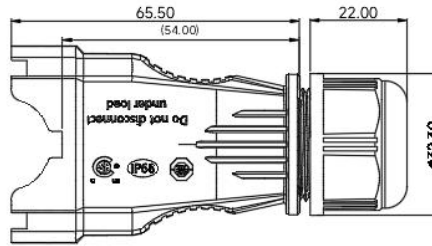
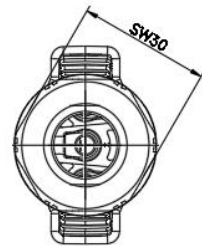
2337026532_EU Power Cord(Y3,2.5mm²,H07,3m)



2301432505_ ACB3 Connector(3core,female,25A)



CHANGE NO.	CHANGE CONTENTS	REV.	NAME/DATE



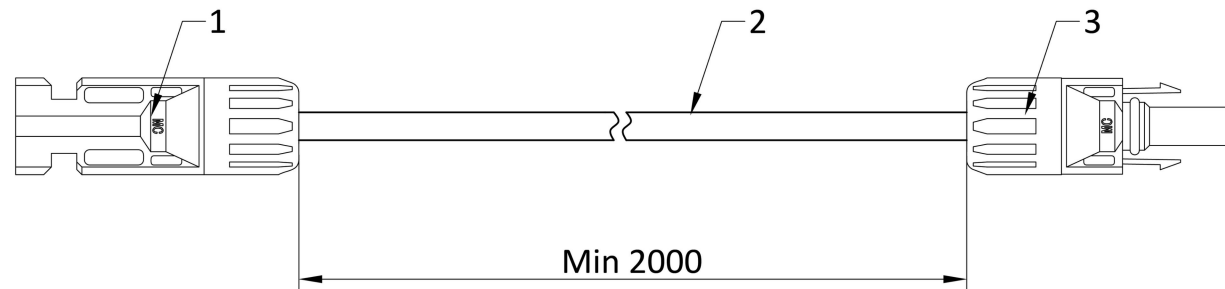
- Technical parameter:
1. Rated voltage: 600VAC
 2. Max. current:
 - TUV:25A(2.5mm²)
 - CSA/UL:23A(14AWG)
 3. Contact resistance: ≤3mΩ
 4. Insulation resistance: ≥500MΩ
 5. Ambient Temperature: -40°C~65°C
 6. IP code: IP68 (1m,2H)
 7. Mechanical life: ≥100次
 8. Salt spray test: 24H Neutral salt spr
 9. Flame retardant code: UL94-V0
 10. UV resistance: f1
 11. Adapt cable OD: OD=7~11.5mm
 12. M4 Torque: 1.0N.m
 13. M26 Torque: 3.5~3.7N.m(Reference)
 14. Standard: UL6703 & PPP 59015A
 15. Part Number: ACB3-25A-F-AS



TOLERANCES UNLESS OTHERWISE SPECIFIED		MATERIAL		 NAME ACB3 Connector (3core, female, 25A)
DWN.	UNIT mm			
CHK.	SHEET OF	REV.		-

2310360214_2m DC Extension Cable (MC4)



CHANGE NO.	CHANGE CONTENTS	REV.	NAME/DATE
②	Add alternative cable	0.2	YFT 2022-9-14



3	DC Connector (female)	MC4 PV-KBT4/6II		1	Female, STAUBLI			
① 2	DC Cable	FLEX-SOL-EVO-DX 4.0		1	4.0mm ² , TUV/UL certification			
		62930 IEC 131/PV		1	4.0mm ² /12AWG, TUV/UL certification	Alternative		
1	DC Connector (male)	MC4 PV-KST4/6II		1	Male, STAUBLI			
NO.	NAME	TYPE	MAT.	QTY.	DESCRIPTION	REMARK		
TOLERANCES UNLESS OTHERWISE SPECIFIED		MATERIAL		 NAME 2m DC Extension Cable (MC4) DRAWING NO.				
>0-100	±5	>2500-3500	±45				DWN.	
>100-500	±10	>3500-4500	±50				UNIT	mm
>500-900	±15	>4500-5500	±65					
>900-1300	±25	>5500-6500	±80				SHEET -- OF --	
>1300-1800	±30	>6500-8000	±90				REV. 0.2	
>1800-2500	±35	>8000-10000	±100	CHK.				

Notes:

1. The DC cable and connector connect firmly, can sustain 100N·60s tension
2. The pin concentric with plastic parts, ensure that there is no contradict phenomenon when male connector inserts into female connector