



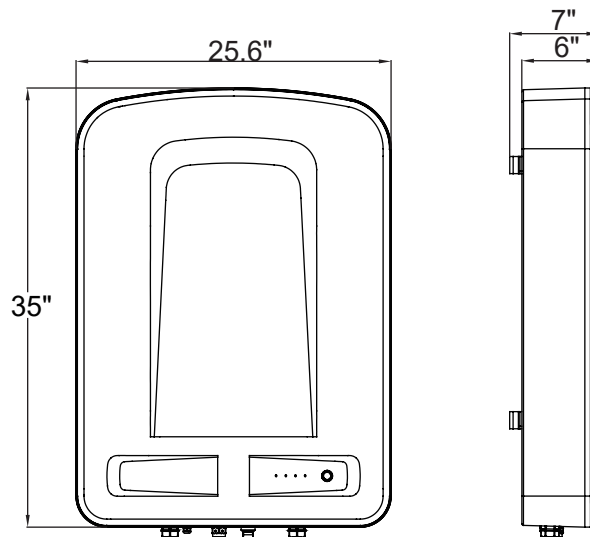
APbattery 48V/5.76kWh

- High and low temperature protection system, safer to use
- Energy conservation and environmental protection
- Super quiet power generation, no noise pollution
- Small size, large battery capacity
- 48V Low Battery Voltage Input, Max Efficiency up to 97%

PRODUCT FEATURES

APbattery is a modular lithium-ion energy storage system which can help to optimize the use of residential solar energy systems, cut the electricity bills and reduce carbon footprint. The APbattery is with an aesthetically pleasing appearance and electrical safety design, a lifespan of more than 10 years can be expected. Its intelligent identification and automatic equalization design allow multiple units to be connected together for system storage capacity expansion easily.

DIMENSIONS



Datasheet | APbattery-48V/5.76kWh

Model

APbattery-48V/5.76kWh

Region

NA

General Specifications

| | |
|---|---|
| Rated Energy | 5.76kWh |
| Depth of discharge | 90% DOD |
| Nominal Voltage | 48VDC |
| Voltage range | 39-54VDC |
| Maximum charging voltage | 54VDC |
| Maximum pulse current at 25°C, 10s | <120A |
| DC Battery Input Voltage | 40.0-60.0VDC |
| Battery Capacity | 120Ah |
| Charging Strategy for Li-Ion Battery | Self-adaption to BMS |
| Max Continuous Charge Current | 50A |
| Max Continuous Discharge Current | 100A |
| Maximum Continuous Discharge Rates (MCDR) | 5kw |
| Efficiency | >97% |
| Operating Condition | indoor or Outdoor |
| Operating Temperature | -10°C-45°C |
| Dimension (LxWxH) | 35"x25.6"x6"inch (897x650x158mm) |
| Weight | 172lbs (78kg) |
| Operating Condition | Natural cooling |
| Shell Material | Aluminum |
| Installation Method | Wall Mounted |
| IP Rating | IP65 |
| Maximum of Parallel | 8 |
| Life Span | >10 Years |
| Communication Mode | RS485、CAN |
| Protection Mode | Triple Hardware Protection |
| APbattery Protection | Over-current, Over-voltage,Short circuit, Under-voltage, Over-temperature |
| Safety Compliance | CAN/UL 1973 |

© All Rights Reserved

Specifications subject to change without notice please ensure you are using the most recent update found at web : usa.APsystems.com

APsystems America

8701 N. Mopac Expy, Ste 160, Austin, TX 78759

Mail: info.usa@APsystems.com

usa.APsystems.com