



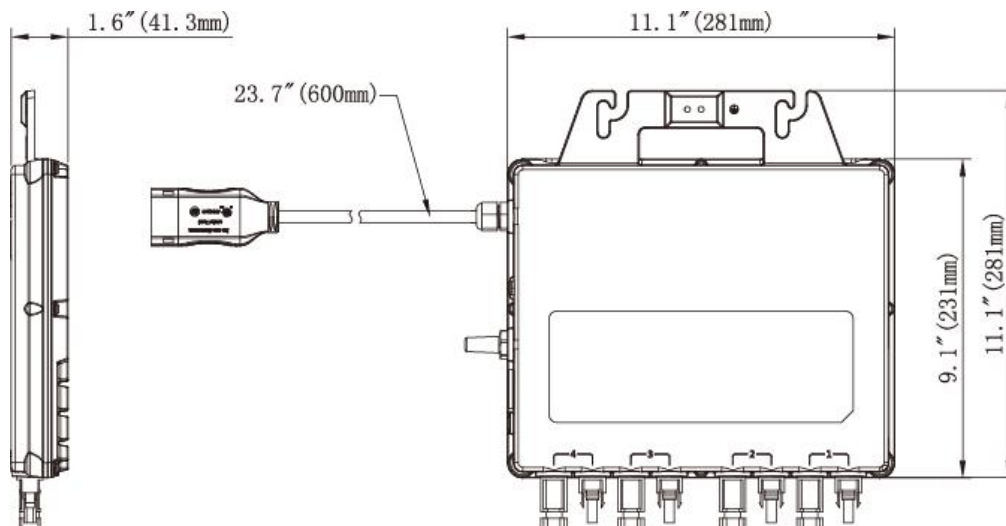
Leading the Industry in  
Solar **Microinverter** Technology



## QS1 Microinverter

- Single unit connects up to four solar modules
- 4 input channels with independent MPPT and monitoring function
- Maximum continuous output power up to 1200W
- Auto disconnection device integrated

### DIMENSIONS



The APsystems QS1 is a grid-tied microinverter with intelligent networking and advanced monitoring systems to ensure maximum efficiency. High efficiency, high reliability of the QS1 with 4 independent MPPT inputs, Maximum AC output power reaching 1200W. Quarter the inverters and quarter the installation means real cost savings for residential and commercial customers.

# QS1200 Microinverter Datasheet

Region	APAC	
Model	QS1-NA	QS1-EU
<b>Input Data (DC)</b>		
Recommended PV Module Power (STC) Range	250Wp-440Wp+	
MPPT Voltage Range	22V-48V	
Operation Voltage Range	16V-55V	
Maximum Input Voltage	60V	
Startup Voltage	20V	
Maximum Input Current	12A×4	
<b>Output Data (AC)</b>		
Maximum Continuous Output Power	1200W	
Nominal Output Voltage/Range	240V/211V-264V	230V/184V-253V
Adjustable Output Voltage Range	160V-278V	
Maximum Continuous Output Current	5A	5.22A
Maximum Units Per Branch	5(20PV modules)	3(12PV modules)
Nominal Output Frequency/Range	60Hz/59.3Hz-60.5Hz	50Hz/48Hz-51Hz
Adjustable Output Frequency Range	55Hz-65Hz	45.1Hz-54.9Hz
Power Factor	>0.99	
Total Harmonic Distortion	<3%	
<b>Efficiency</b>		
Peak Efficiency	96.5%	
Nominal MPPT Efficiency	99.5%	
Night Power Consumption	30mW	
<b>Mechanical Data</b>		
Operating Ambient Temperature Range	-40°C to +65°C	
Storage Temperature Range	-40°C to +85°C	
Dimensions (W x H x D)	281mm × 231mm × 41.3mm	
Weight	4.5kg	
AC BUS Maximum Current	25A(12AWG)	20A(2.5mm <sup>2</sup> )
Enclosure Environmental Rating	Type6	IP67
Pollution Degree Classification	PD3	
Cooling	Natural Convection - No Fans	
Operate relative humidity range	4%~100%	
Maximum altitude	<2000m	
Overvoltage Category	OVC II For PV Input Circuit, OVC III For Mains Circuit	
<b>Features &amp; Compliance</b>		
Communication	Wireless	
Transformer Design	High Frequency Transformers, Galvanically Isolated	
Monitoring	Via EMA* Online Portal	
Warranty	10 Years Standard ; 20 Years Optional	
<b>Certificate&amp;Compliance</b>		
Grid Connection Compliance	IEC 61727	

\*APsystems online Energy Management Analysis (EMA) platform

© All Rights Reserved  
 Specifications subject to change without notice  
 please ensure you are using the most recent update found at [www.APsistemas.com](http://www.APsistemas.com)