

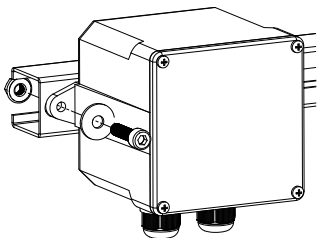


Please scan the QR code to get mobile app and more support to help the installation.

YC500A-LK Microinverter Quick Installation Guide

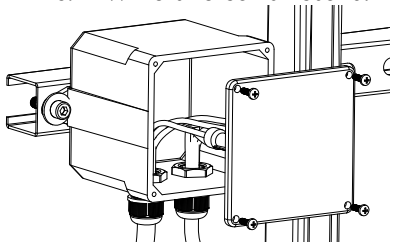
Step 1. Verify the grid voltage to match with microinverter rating.

Step 2. Install the AC branch circuit isolator.



Step3. Connect the cables to the branch isolator.

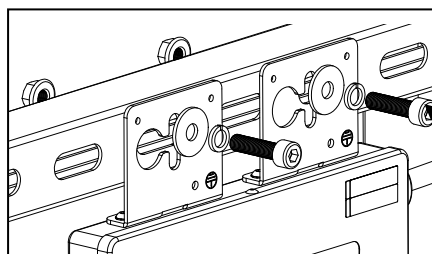
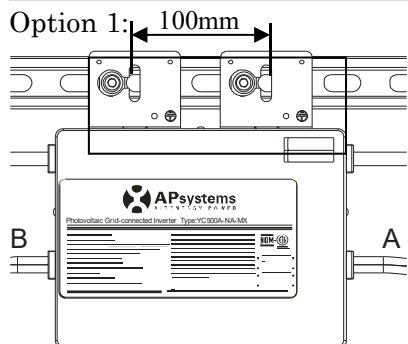
- Put the unused end of the AC interconnector cable into the branch isolator.
- Place cable connecting to the point of utility interconnection into the branch isolator.
- Wire the conductors: **L- BROWN; N - BLUE; PE - YELLOW GREEN.**



Step4. Attach the APsystems microinverters to the racking or the PV module frame.

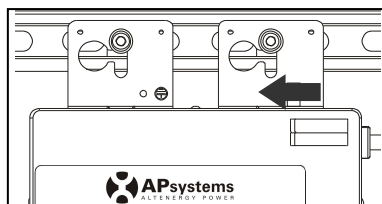
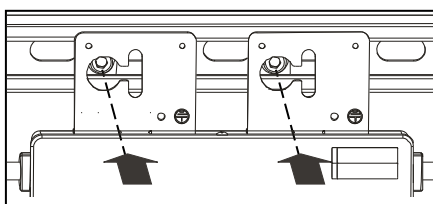
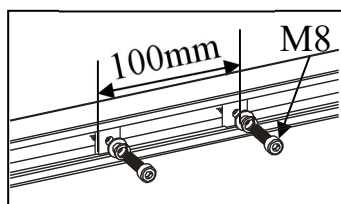
NOTE: Do not place the inverters (including DC and AC connectors) where exposed to the sun, rain or snow, even gap between modules. Allow a minimum of 3/4”(1.5cm.) between the roof and the bottom of the Microinverter to allow proper air flow.

Option 1:

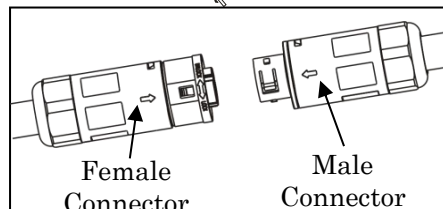
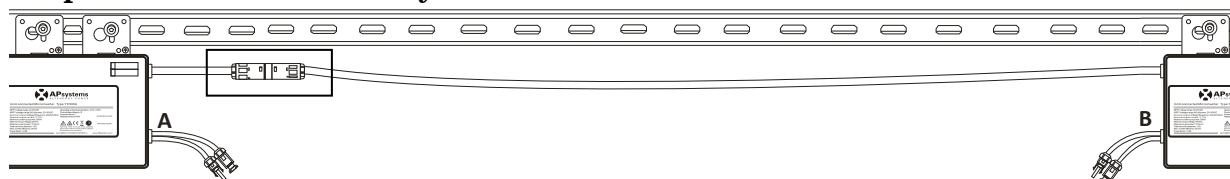


M8
(not supplied by APsystems)

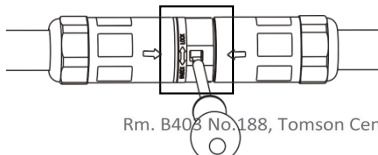
Option 2:



Step5. Connect the APsystems microinverter AC cables.



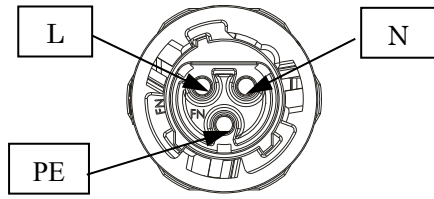
Best Practice: Use screwdriver to split the Main connectors.



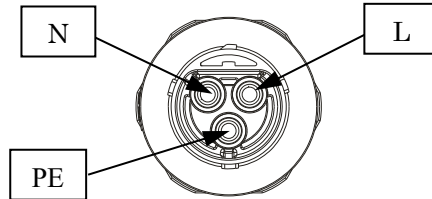
APsystems

Rm. B403 No.188, Tomson Center, Zhangyang Road, Pudong, Shanghai, China
上海市浦东新区张杨路188号汤臣中心B403室
+8621-33928205 | APsystems.com

NOTE: AC connector interface as follows.

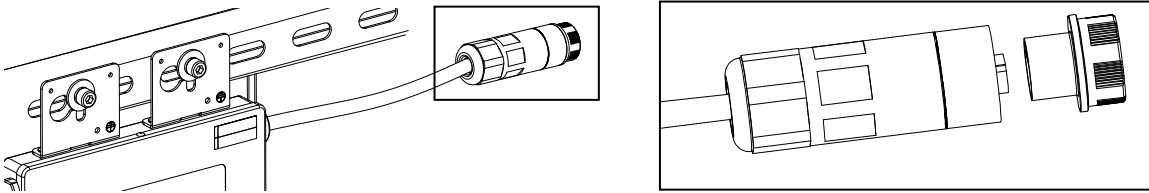


Female Connector

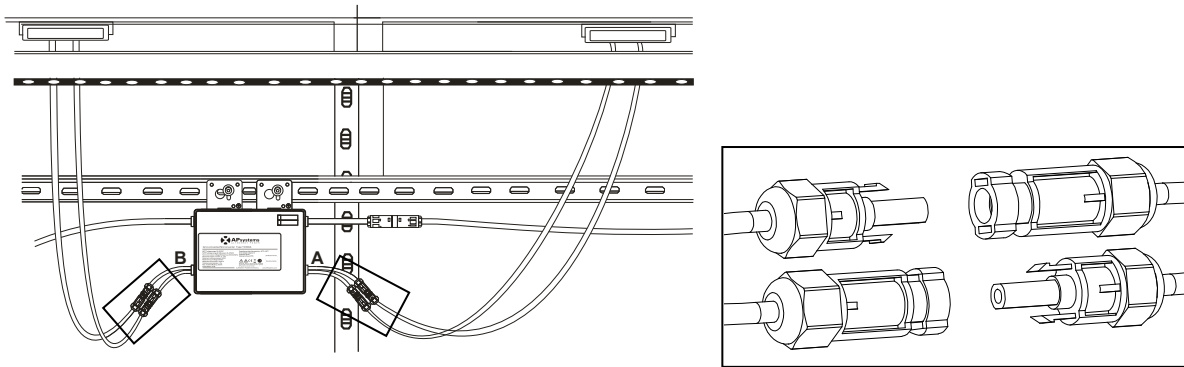


Male Connector

Step6. Install a protective end cap on the open AC connector of the last microinverter in the AC branch circuit.

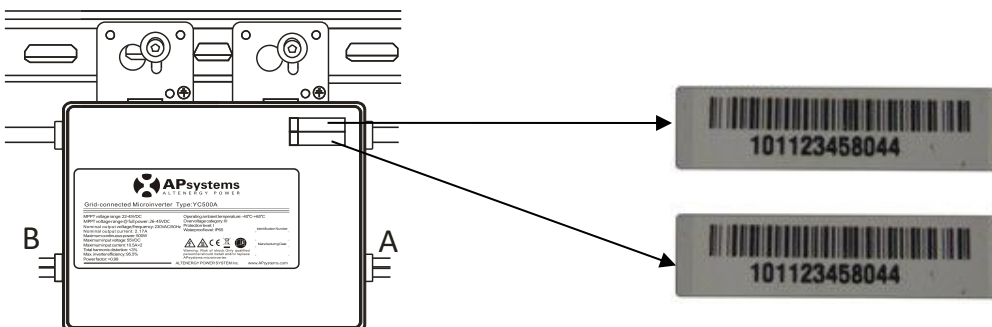


Step7. Place the PV modules and connecting each YC500A to the two PV modules close-by.



Step8. Complete the APsystems installation map.

Each APsystems microinverter has two removable serial number labels. Peel labels off, affix one to the respective location on the APsystems installation map, and affix another to the PV module frame which is easy to see. Use the Scanning Gun to scan the serial numbers on the map into the computer or scan by mobile phone, then complete the setting (see ECU manual).



NOTE: Step 1~8 can change sequence for convenience of installation.

NOTE: Using apsystems' mobile app ArrayApp can make the installation and registion much more simple.

Step9. Start the operation.

1. Turn on the AC circuit breaker on each microinverter AC branch circuit.
2. Turn on the main utility-grid AC circuit breaker. Your system will startproducing power after a two-minute waiting time.

APsystems

*Product information is subject to change without notice.
(Please download manuals at www.APsystems.com).*

Rm. B403 No.188, Tomson Center, Zhangyang Road, Pudong, Shanghai, China
上海市浦东新区张杨路188号汤臣中心B403室
+8621-33928205 | APsystems.com